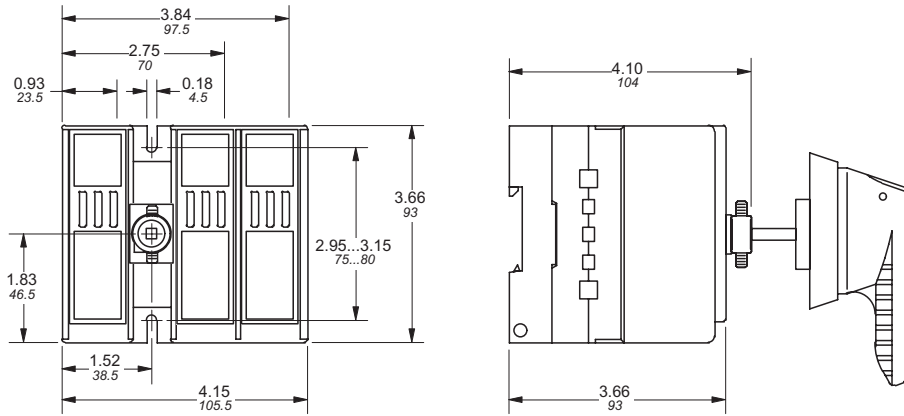


Approximate dimensions OS30A_ - OS60_

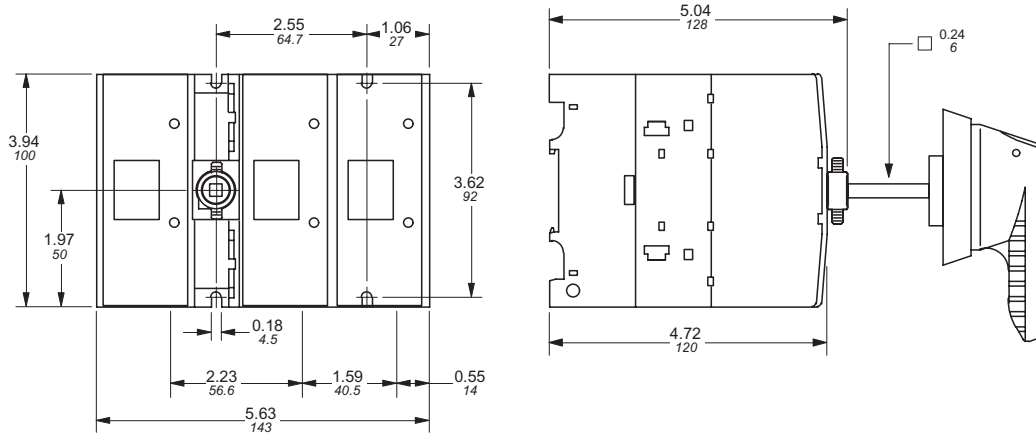
Disconnect
switches
Fusible

00.00 Inches
00.00 [Millimeters]

OS30AJ12 & OS30ACC12



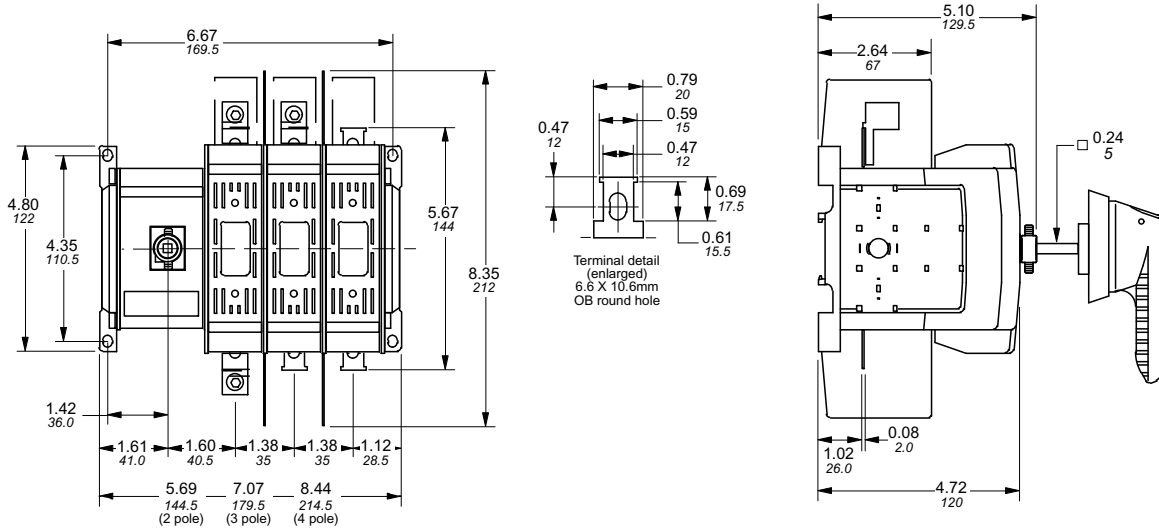
OS60J12



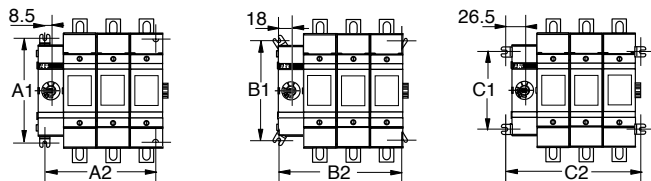
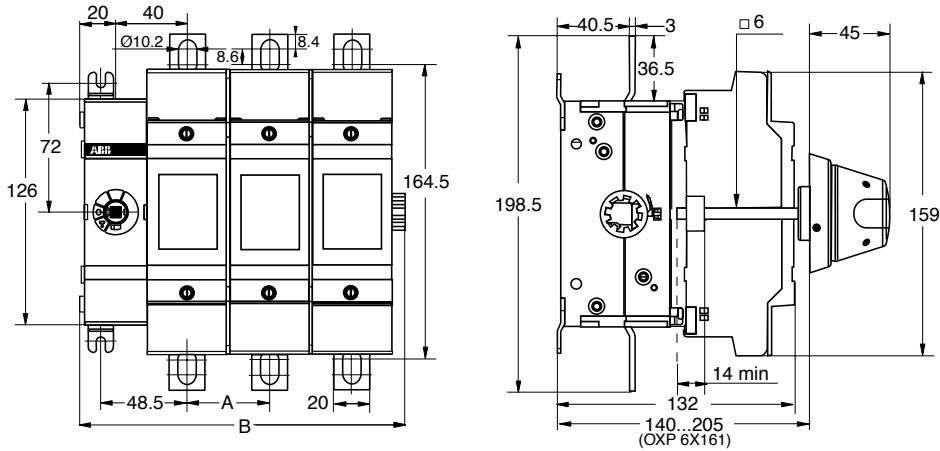
Approximate dimensions OS100_ - OS200_

← 00.00 → Inches
00.00 → [Millimeters]

OS100J03



OS200J03, -04



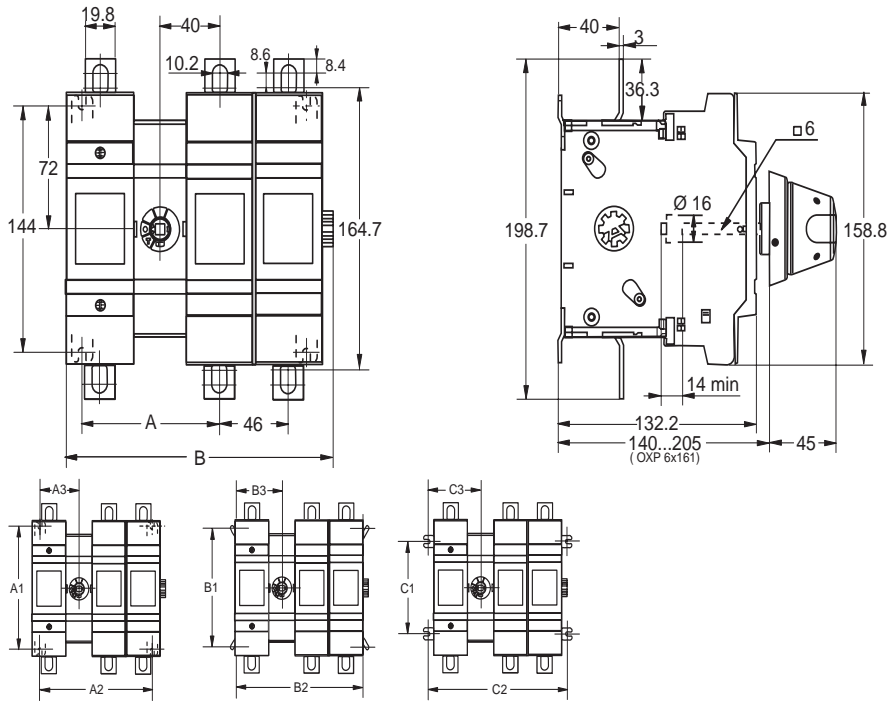
	OS200 (mm)	
	J03	J04F
A	46	46
B	181.5	222.75
A1	144	144
A2	152.5	198.5
B1	138.5	138.5
B2	171.5	217.5
C1	108	108
C2	188.5	234.5

Approximate dimensions OS200_ - OES200_

Disconnect
switches
Fusible

← 00.00 → Millimeters

OS200J11, -12, -13, -22



	OS200 (mm)			
	J11	J12	J13	J22
A	92	92	92	138
B	132.1	178.1	224.1	224.1
A1	144	144	144	144
A2	104	150	196	196
A3	52	52	52	98
B1	109.4	109.4	109.4	109.4
B2	105.9	140.9	140.9	175.9
B3	61.5	61.5	61.5	107.5
C1	108	108	108	108
C2	140	186	232	232
C3	70	70	70	116

OES200R03

